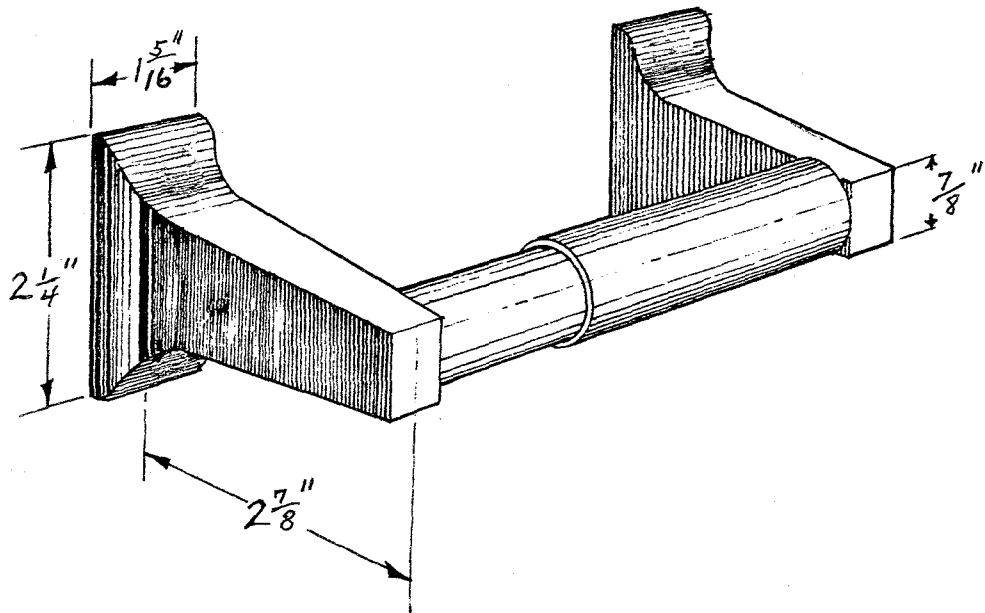


TOILET PAPER HOLDER

MOUNTING
BRACKET (TYP)



CONSTRUCTION:

Brackets are 3/4" chrome plated zinc die-cast (zamak) designed for concealed screw mounting.
Roller is white plastic on 362.
Roller is chrome plastic on 361.

INSTALLATION:

Secure metal wall plates to studs or solid backing with mounting screws provided. Slip brackets over wall plates and tighten set screws until secure.

SPECIFICATION:

Toilet paper holder shall be model 362 (plastic roller) or 361 (chrome plastic roller) by CWECO, Inc.